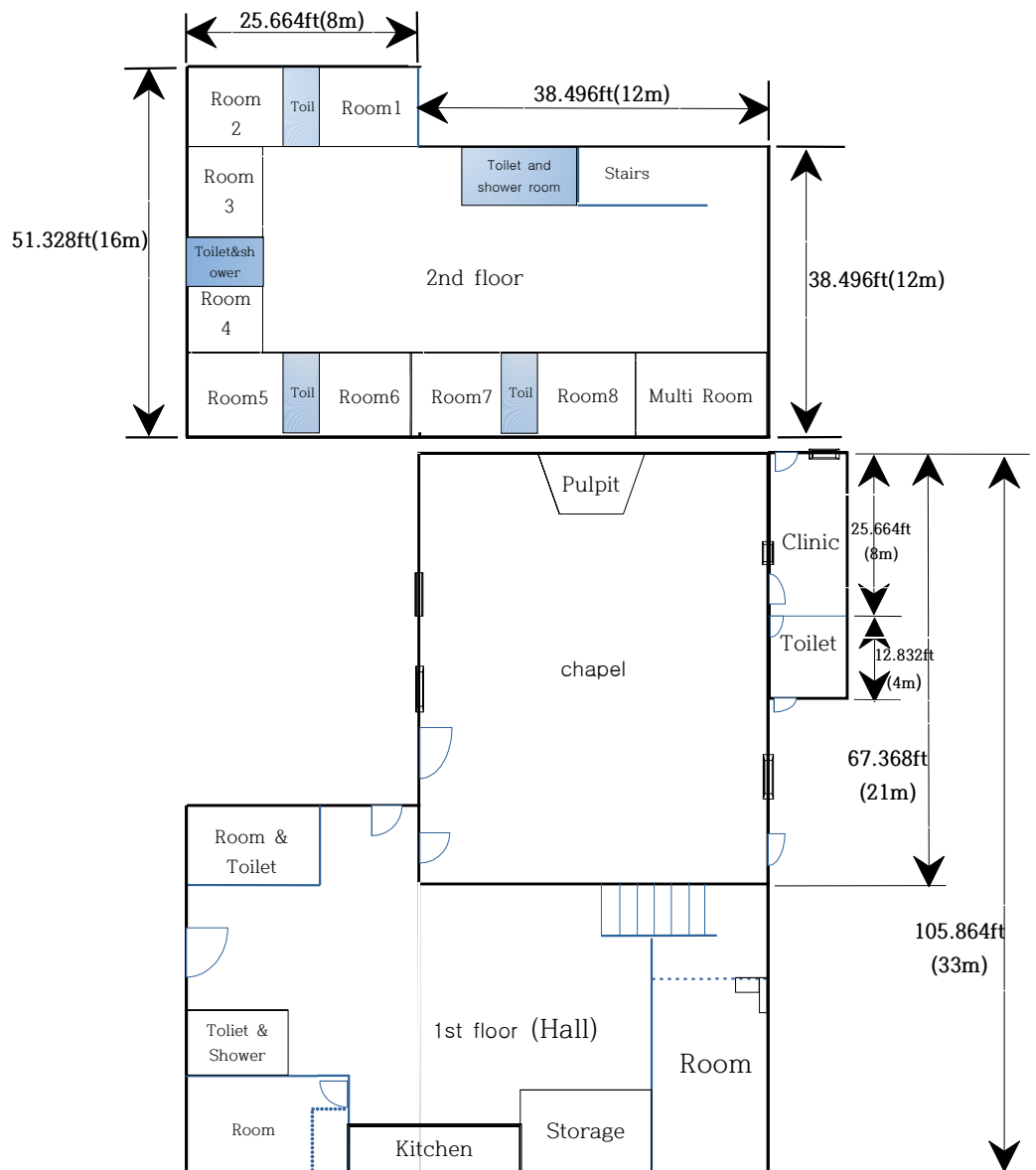


# Mission Center



Chapel size:  $67.368\text{ft}(21\text{m}) \times 38.496\text{ft}(12\text{m}) = 2,712\text{ft}^2(252\text{m}^2)$

1st floor size:  $2,928\text{ft}^2(272\text{m}^2)$

2nd floor size:  $2,928\text{ft}^2(272\text{m}^2)$